

# 930 SERIES MINIATURE BAYONET LAMP HOLDERS

### Overview

The 930 Series relampable miniature bayonet lampholders accommodate T-3 1/4 and T-2 incandescent lamps and T-3 1/4 neon lamps. This robust lampholder assembly may be ordered with many decorative lens styles, plating options and unique termination and mounting features.

### Approvals

UL Listed and CSA Certified. For MIL Spec Lampholders, contact the factory.

### Specification

**Housing:** Brass. Black nickel, bright nickel, polished chrome, or satin chrome finishes.

**Body:** High dielectric phenolic.

**Lockwasher:** Phosphor bronze. Nickel-plated.

**Hex Nut:** Brass. Nickel-plated.

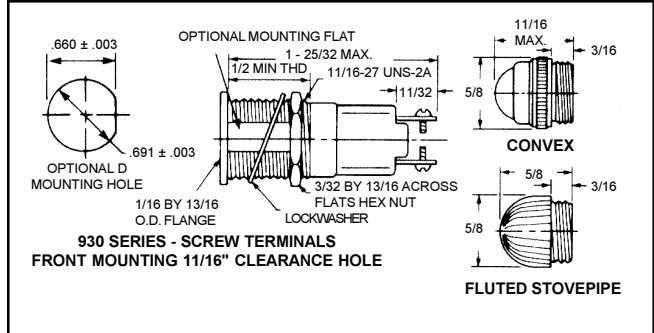
**Terminals:** Solder Lug: Brass, tin-plated. Screw Type: 4-40 brass, nickel-plated binding head screws.

**Wire Leads:** 6" leads, #22 AWG, black & white, stranded copper, PVC insulated, UL/CSA rated 105°C, stripped 1/2". Custom wire options are also available.

**Lens:** Heat resistant, high strength polycarbonate.

**Retainer:** Brass. Black nickel, bright nickel, polished chrome or satin chrome finishes available.

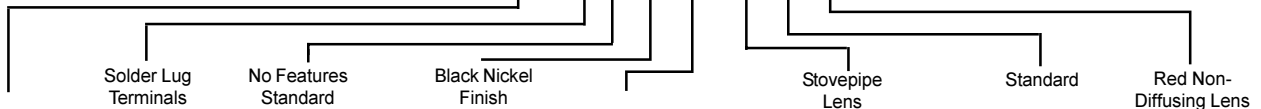
**930 Series Maximum Rating:** 3 Watts, 250 Volts.



### ORDERING INFORMATION:

Lampholders and lens caps may be ordered separately or as complete assemblies as shown in the example below:

**EXAMPLE: 930 404 X 71 0 RN**



Series Number	Lampholders				Lens Cap Assembly		
	Termination	Features	Finish	Resistor	Lens Style	Retainer	Lens Color
930	4 Solder Lug	0 None Standard	4 Black Nickel	X None (No resistor required with incandescent lamps)	72 Flat <sup>3</sup>	4 Black Nickel	Nondiffusing
					82 Flat <sup>4</sup>		
5 Screw Type	1 D Hole Mounting	6 Satin Chrome (Special Orders Only)	5 Bright Nickel	R 27K OHM S 33K OHM C 56K OHM F 68K OHM E 100K OHM	86 Flat Drip Proof <sup>3</sup>	5 Bright Nickel	AN Amber
					87 Flat Drip Proof <sup>4</sup>		BN Blue <sup>5</sup>
W Wire Leads	2 <sup>1</sup> Drip Proof	7 Polished Chrome	6 Satin Chrome (Special Orders Only)	R 27K OHM S 33K OHM C 56K OHM F 68K OHM E 100K OHM	78 Convex <sup>3</sup>	6 Satin Chrome (special)	CN Colorless
					79 Convex Drip Proof <sup>3</sup>		GN Green <sup>6</sup>
W Wire Leads	3 <sup>1</sup> D Hole Mounting & Drip Proof	7 Polished Chrome	7 Polished Chrome	R 27K OHM S 33K OHM C 56K OHM F 68K OHM E 100K OHM	88 Convex <sup>4</sup>	7 Polished Chrome	RN Red
					89 Convex Drip Proof <sup>4</sup>		WN White
					No Retainer Required		
					71 Stovepipe <sup>3</sup>	0 Standard	Diffusing <sup>6</sup>
73 Cylindrical <sup>3</sup>	8 Dripproof	AT Amber					
74 Fluted Stovepipe <sup>5</sup>		8 Dripproof	BT Blue				
75 Semi-Fluted Stovepipe <sup>5</sup>	8 Dripproof		GT Green				
					Diffusing <sup>6</sup>		
					AD Amber		
					BD Blue		
					CD Colorless		
					GD Green		
					RD Red		
					YD Yellow		

<sup>1</sup> These styles supplied with rubber washers for body and lens.  
<sup>2</sup> For proper resistor/neon lamp compatibility, table on back page.  
<sup>3</sup> Nondiffusing & translucent colors only.  
<sup>4</sup> Diffusing Colors only.  
<sup>5</sup> Nondiffusing colors only.  
<sup>6</sup> Not recommended for neon lamps.